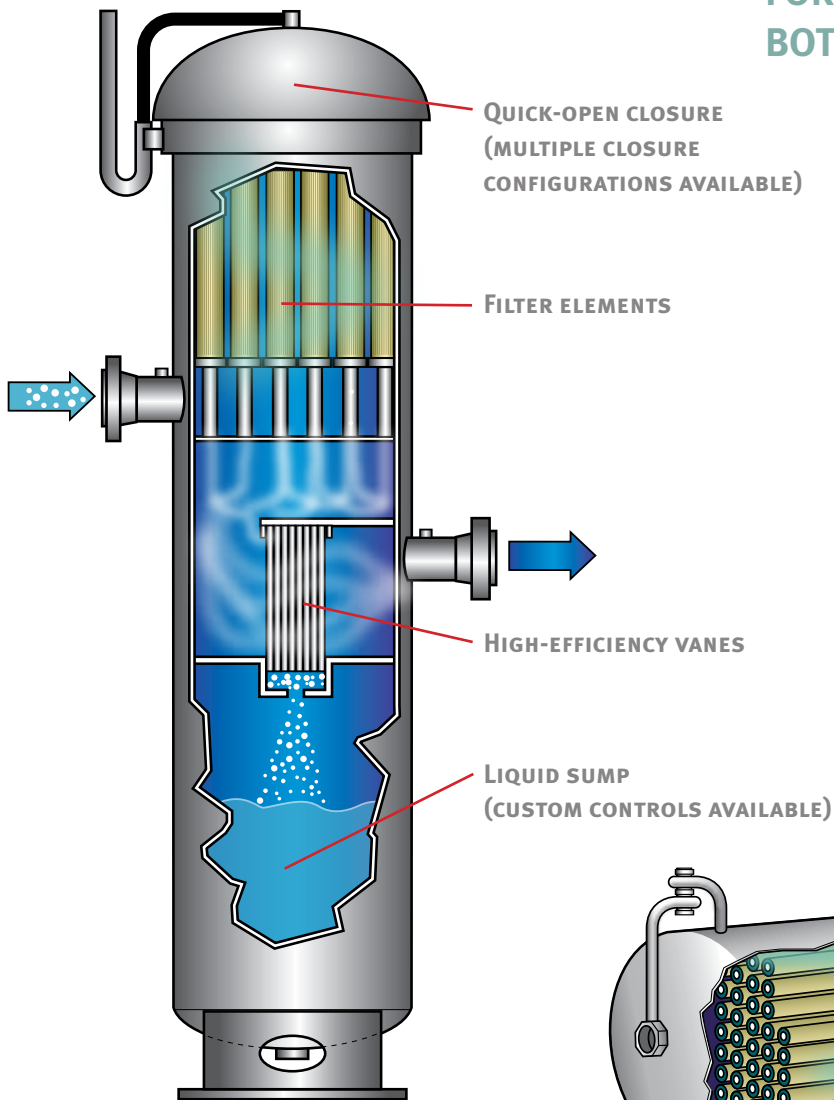


SEE WHAT PEERLESS CAN DO FOR YOU.

FOR HIGH-EFFICIENCY SEPARATION OF BOTH SOLID AND LIQUID CONTAMINANTS



VERTICAL FILTER-SEPARATOR
FOR APPLICATIONS WHERE SPACE IS LIMITED.

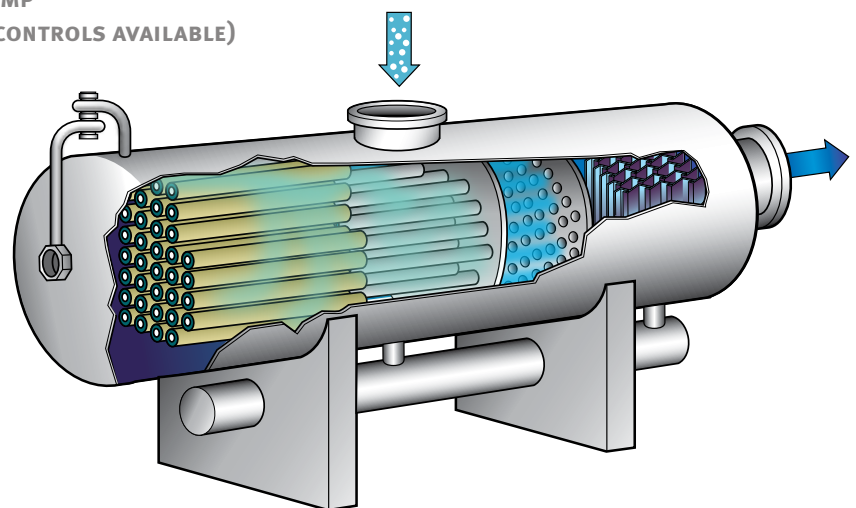
- FLEXIBLE DESIGNS
- GUARANTEED PERFORMANCE
- CUSTOM SIZED VESSELS AND INTERNALS
- STATE-OF-THE-ART TESTING
- BUILT TO ASME CODE

PEERLESS PERFORMANCE FEATURES

Peerless Filter-Separators provide economical, effective, highly efficient removal of large and small solid and liquid particles from gas streams. This helps protect valuable mechanical equipment and optimize the efficiency of processes.

TYPICAL APPLICATIONS:

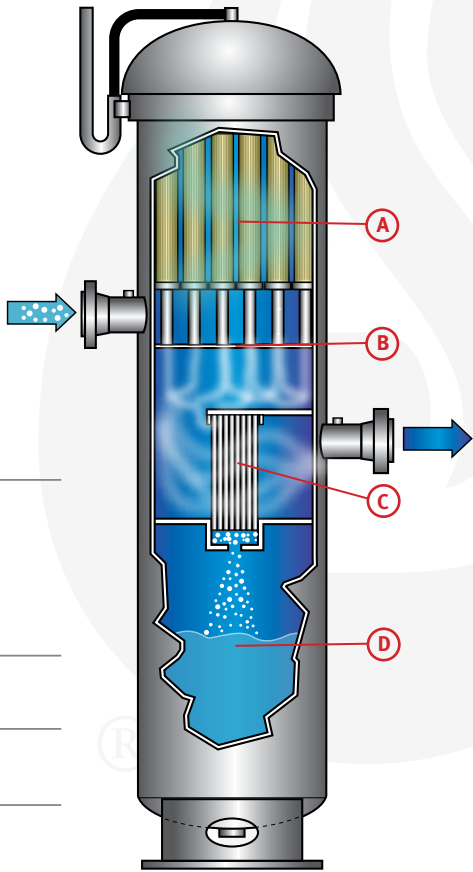
- GAS DISTRIBUTION SYSTEMS
- COMPRESSOR STATIONS
- PIPELINES
- METERING AND REGULATION STATIONS
- NATURAL GAS PLANTS
- POWER PLANTS
- REFINERIES
- PETROCHEMICAL PLANTS
- CHEMICAL PLANTS



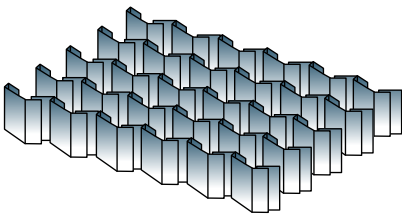
HORIZONTAL FILTER-SEPARATOR

FOR APPLICATIONS REQUIRING HIGH LIQUID STORAGE. VERTICAL AND HORIZONTAL SUMPS AVAILABLE.

CONSULT A PEERLESS SPECIALIST FOR YOUR SEPARATION, RETROFIT, AND SPARES REQUIREMENTS.



Vertical Peerless Filter-Separator configuration



Typical Peerless Vane Element

PRINCIPLE OF OPERATION

- (A) Incoming flow with entrained solids and liquids pass outside-in through the filter media where solids are removed and coalescing takes place. Bulk liquids are also removed in this first stage.
- (B) The gas then carries the coalesced liquids through the standpipe/tubesheet.
- (C) Remaining liquids are directed to the high-efficiency vane mist extractor.
- (D) Liquids from the vane mist extractor are collected away from the gas stream.

VANE MIST EXTRACTORS

Peerless Vanes come in more than a dozen high-performance profiles. Extensive Peerless engineering and testing has shown vane spacing, pocket depth, and sizing are critical to the capacity and efficiency of vane elements. Tight control of these parameters during fabrication makes Peerless quality an integral part of our vane performance.

CONFIGURATIONS

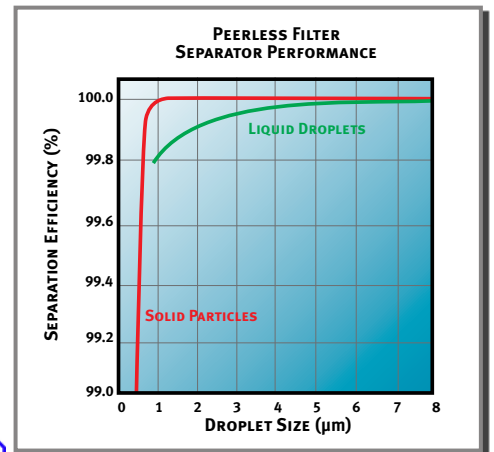
Peerless Filter-Separators are available in vertical or horizontal, and single- or double-barrel configurations. Closures for access to the filter elements can be either full- or reduced- diameter, and bolted or quick-opening designs.



THIS PEERLESS FILTER-SEPARATOR IS INSTALLED AT A COMPRESSOR STATION IN NATURAL GAS TRANSMISSION SERVICE. THIS PEERLESS UNIT IS DESIGNED WITH A COST-EFFECTIVE FULL-DIAMETER CLOSURE.

PERFORMANCE GUARANTEE

Peerless Filter-Separators are guaranteed to remove 100% of all liquid droplets 8 microns and larger and remove 99.5% of those 0.5 to 8 microns in size. The minimum guaranteed solid particle removal is 100% of 1 micron and larger and 99.5% for those 0.5 to 1 micron in size.



EFFICIENCIES WILL VARY WITH THE SELECTION OF FILTER ELEMENTS AND VANES.

張曙光

EMAIL : kflow@seed.net.tw

手機 : 0927120778



Peerless Mfg. Co.
14651 North Dallas Pkwy.
Suite 500
Dallas, TX 75254
Phone 214-357-6181
www.peerlessmfg.com
NASDAQ Symbol: PMFG

Peerless Mfg. Co.
Regional Office
35 Jalan Pemimpin, #07-02
Singapore 577176
Phone 011-65-6354-2306

Peerless Europe Limited
Cardinal's Court, Bradford St.
Braithree, Essex CM7 9AT
United Kingdom
Phone 011-44-1376-556030